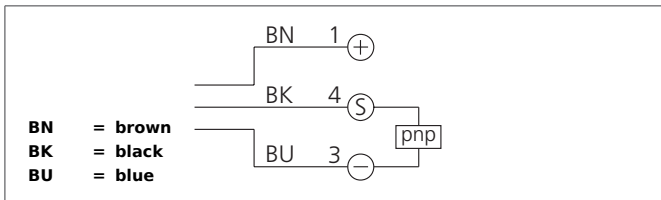


MZEC 3.7 VPS-K-B3 Cylinder Sensor

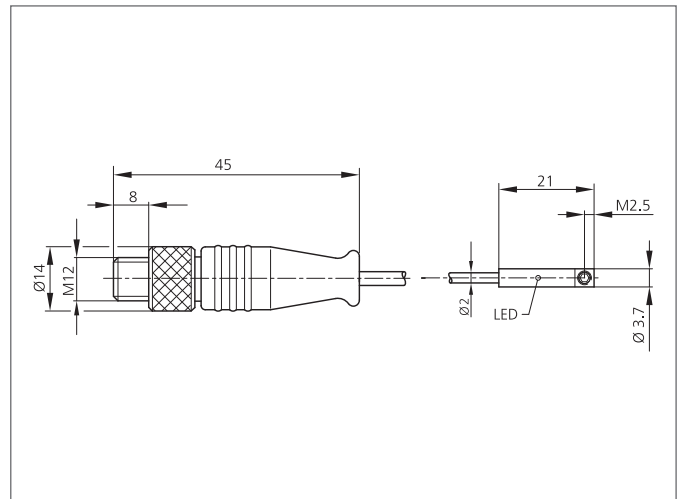
- For pneumatic cylinders with round slot 3.7 mm
- Short design
- Stainless steel fastening part
- Cable, highly flexible
- All-electronically
- High reproducibility
- High protection class



Safety instructions

The Instruments are not to be used for safety applications, in particular applications in which safety of persons depends on proper operation of the instruments.

These instruments shall exclusively be used by qualified personnel.



| TECHNICAL INFORMATION (typ.) | +20°C, 24V DC |
|------------------------------|---|
| Cylinder groove | C-groove 3.7 mm, mounting in longitudinal direction of slot |
| Mounting | Locking screw, allen screw 1,3 mm |
| Maximum rating | 100 mA, not short-circuit-proof, polarity-safe |
| Service voltage | 10 ... 30 V DC |
| Internal power consumption | < 11 mA |
| Switching output | pnp, 100 mA, NO |
| Contact rating | 3 W max. (30 V, 100 mA) |
| Display | LED: yellow - output signal |
| Voltage drop | 2,0 V |
| Switching frequency | 1.000 Hz |
| Reproducibility | < 0,1 mm |
| Ambient temperature | -20 ... +70 °C |
| Insulation voltage endurance | 500 V |
| Protection class | IP 67 |
| Protection degree | III, operation on protective low voltage |
| Casing material | stainless steel V2A (1.4305 / AISI 303) |
| Connection | Cable TPU, Connector, M12, 300 mm |